

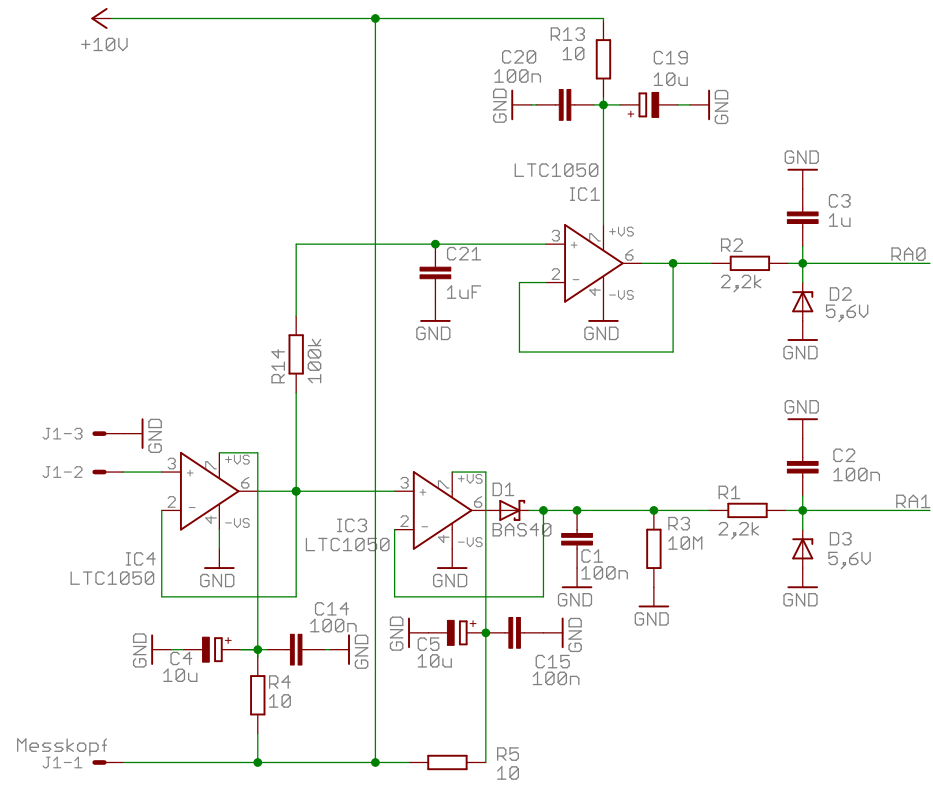
TITLE: mc

Document Number:

REU:

Date: 15.02.12 09:19

Sheet: 1/2



TITLE: mc	
Document Number:	REV:
Date: 15.02.12 09:19	Sheet: 2/2